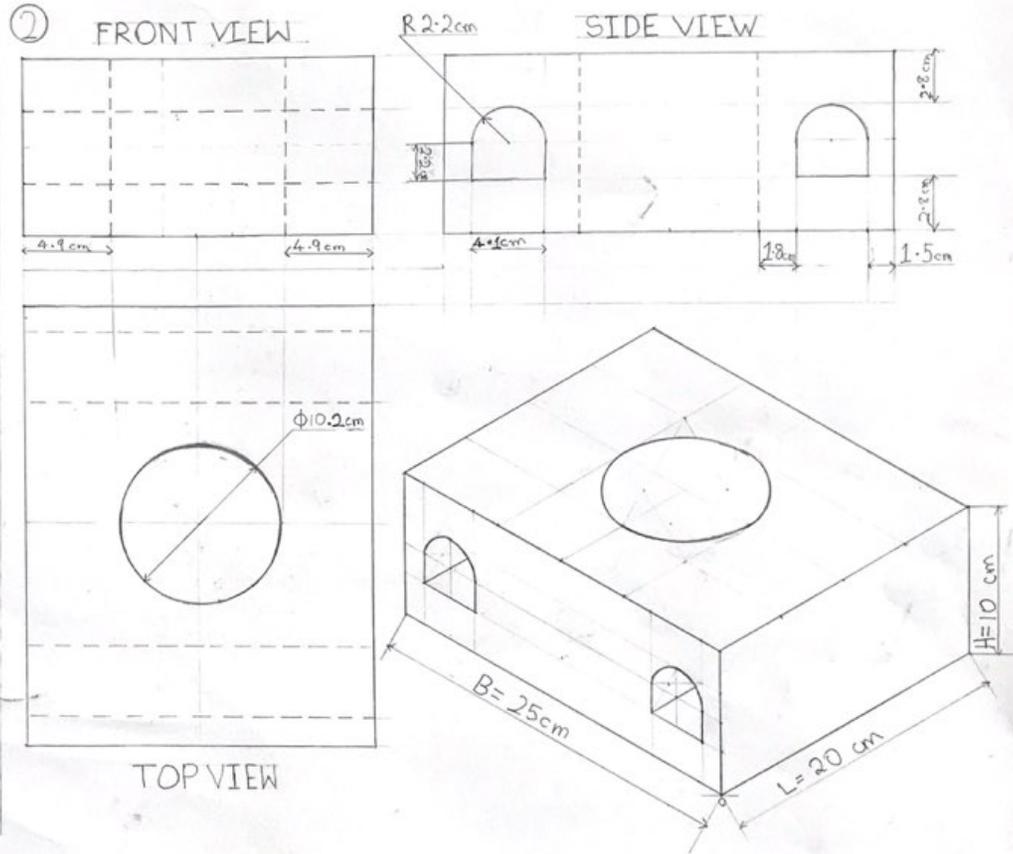
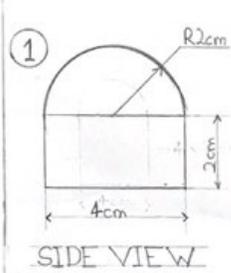
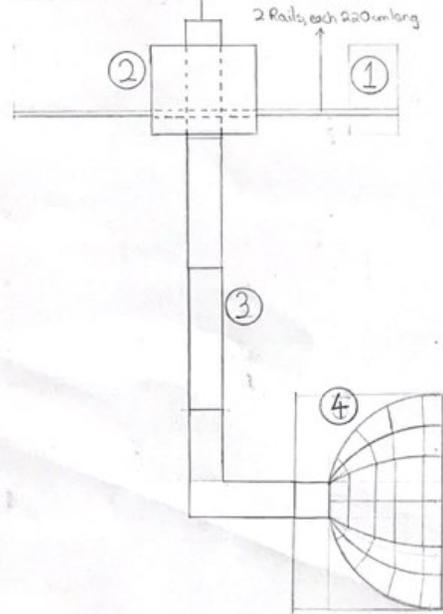
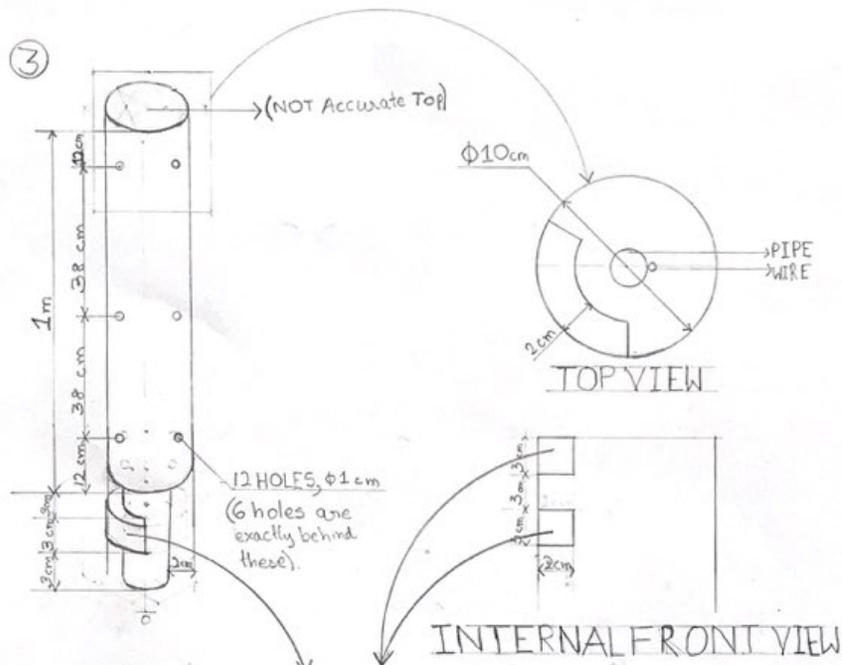


- ELECTRICAL SUPPLY
- SWITCH
- WATER SUPPLY
- PUMP





2 rods to fit through the holes in the shafts to lock them.

These projections are only for $1/3^{\text{rd}}$ of the inner surface.

